



INSTALLATION INSTRUCTIONS

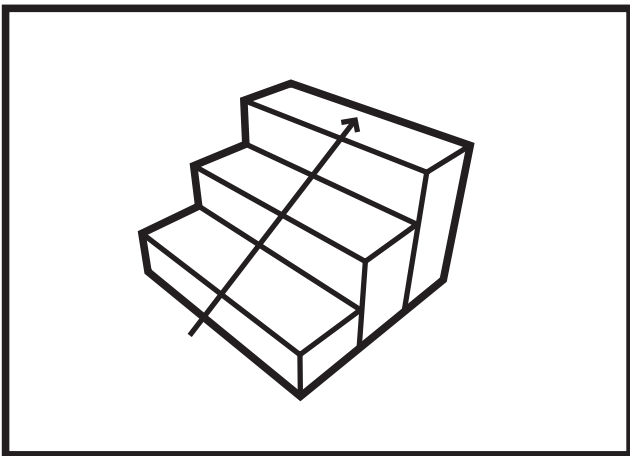
CUSTOM STAIR NOSING

Please follow these instructions carefully to ensure accurate installation and a safe, durable finish

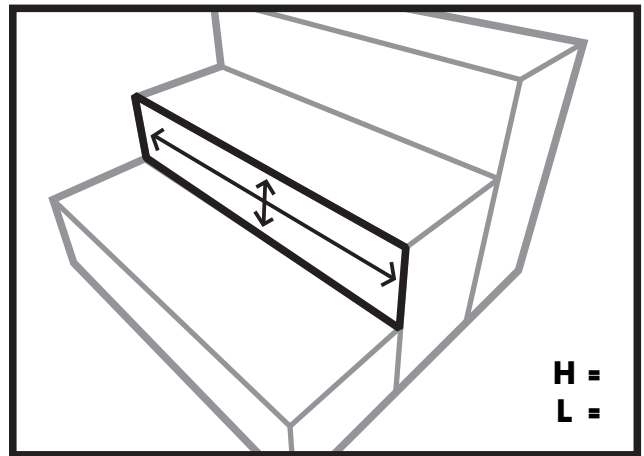
Any deviation will void warranty and may result in damages or personal injury

Ensure all treads are flat and clean of debris or oils prior to stair nosing installation

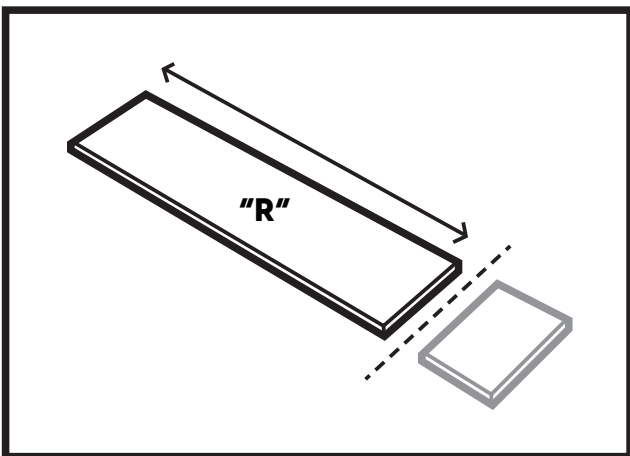
Follow all instructions and recommendations provided by board, adhesive, and nosing manufacturers



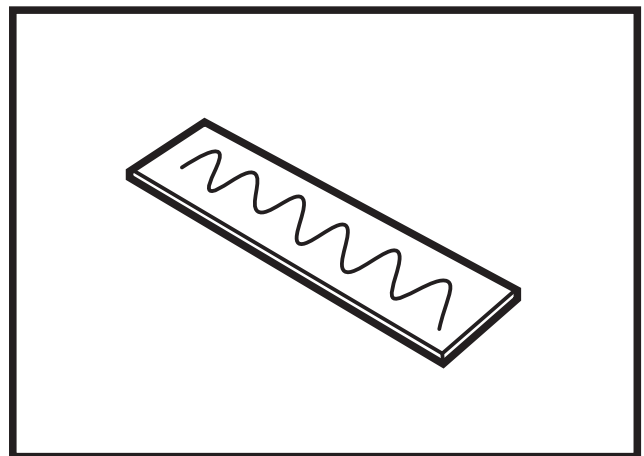
1. Begin at the bottom of the stairs and work your way up



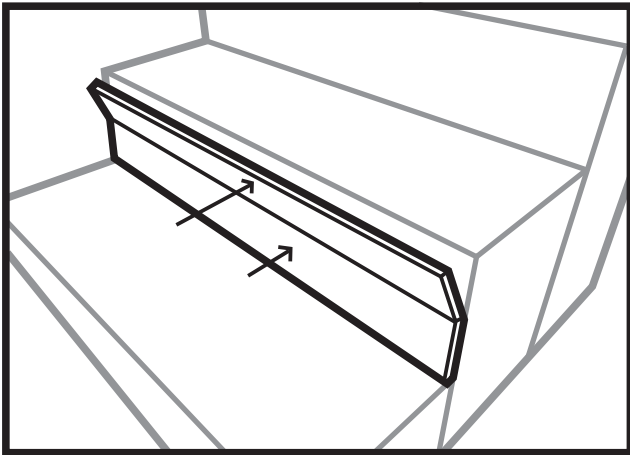
2. Measure the riser height and width
(*Important note: inaccurate measurements may affect the stability of the nosing)



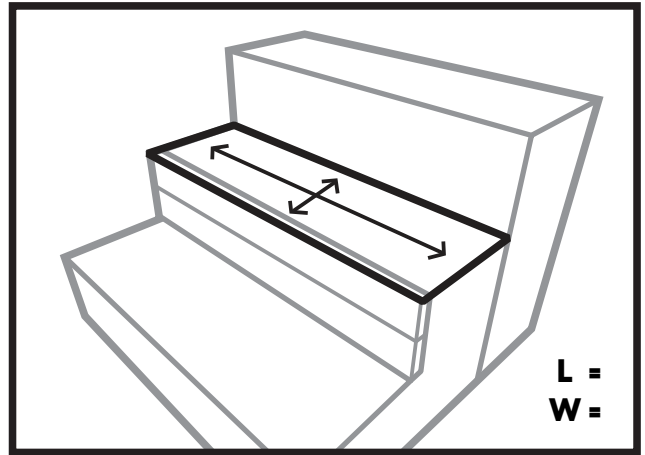
3. Saw boards to the correct length and width and clean of any dust or debris



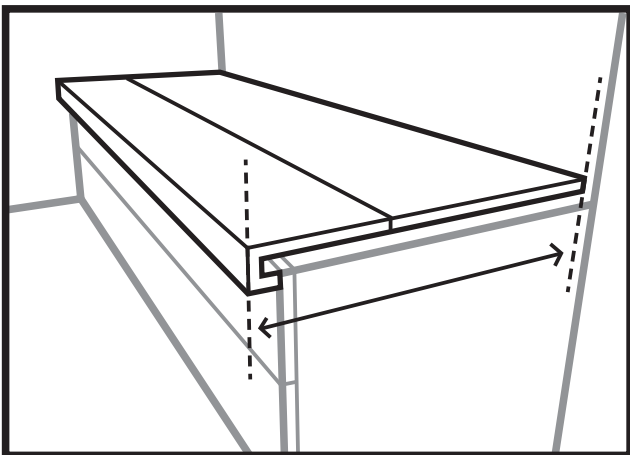
4. Apply adhesive to the backside of the board ensuring that enough glue is used for adhesive transfer



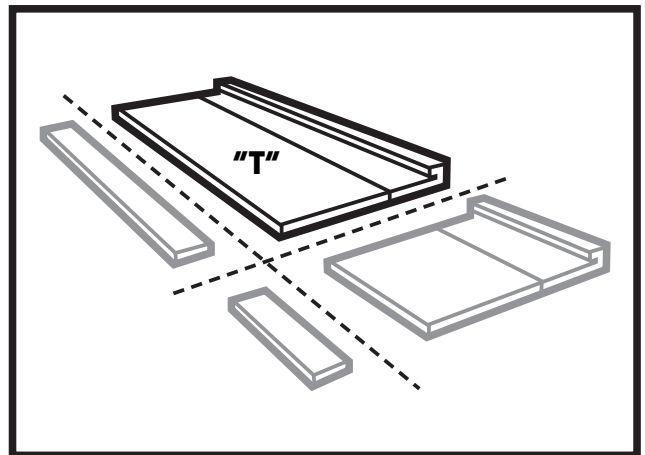
5. Place board against the riser and press firmly. Place lower boards first and slot top board into place on an angle, then adhere



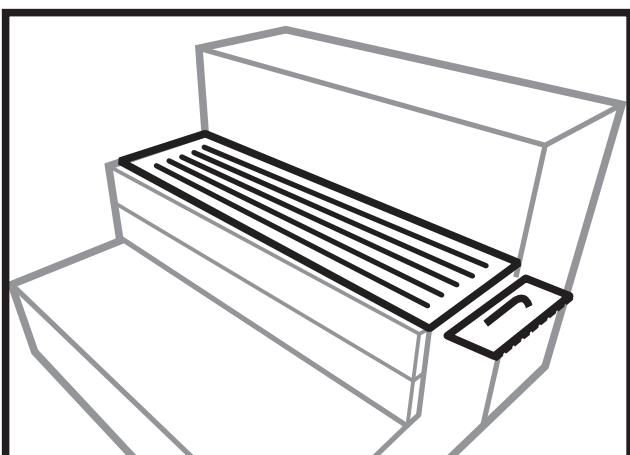
6. Measure the tread length and width. Be sure to include the riser boards placed in step 5 and a 1 mm expansion gap on all edges



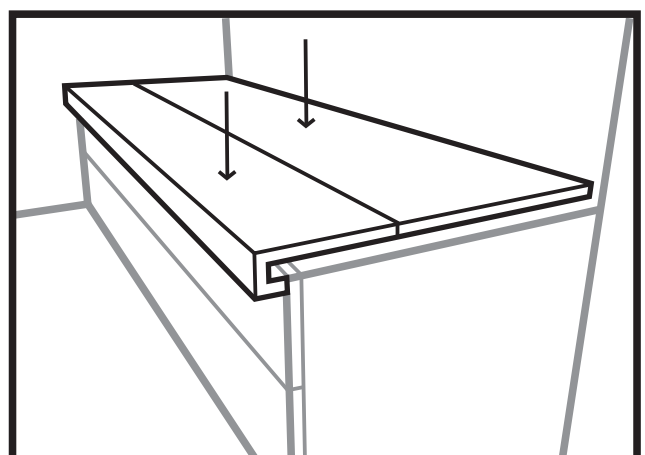
7. Measure and mark nosing and rear board. Remember to add nosing overhang to the tread length as pictured



8. Cut nosing and rear board to size and click together ready for adhesion



9. Apply adhesive recommended by your supplier. We strongly suggest using the trowel method for stability and longevity



10. Place nosing and rear board on stair tread and press down firmly. Ensure boards remain straight and use a level where necessary

* Repeat steps 1 - 10 until you reach the top of the stairs